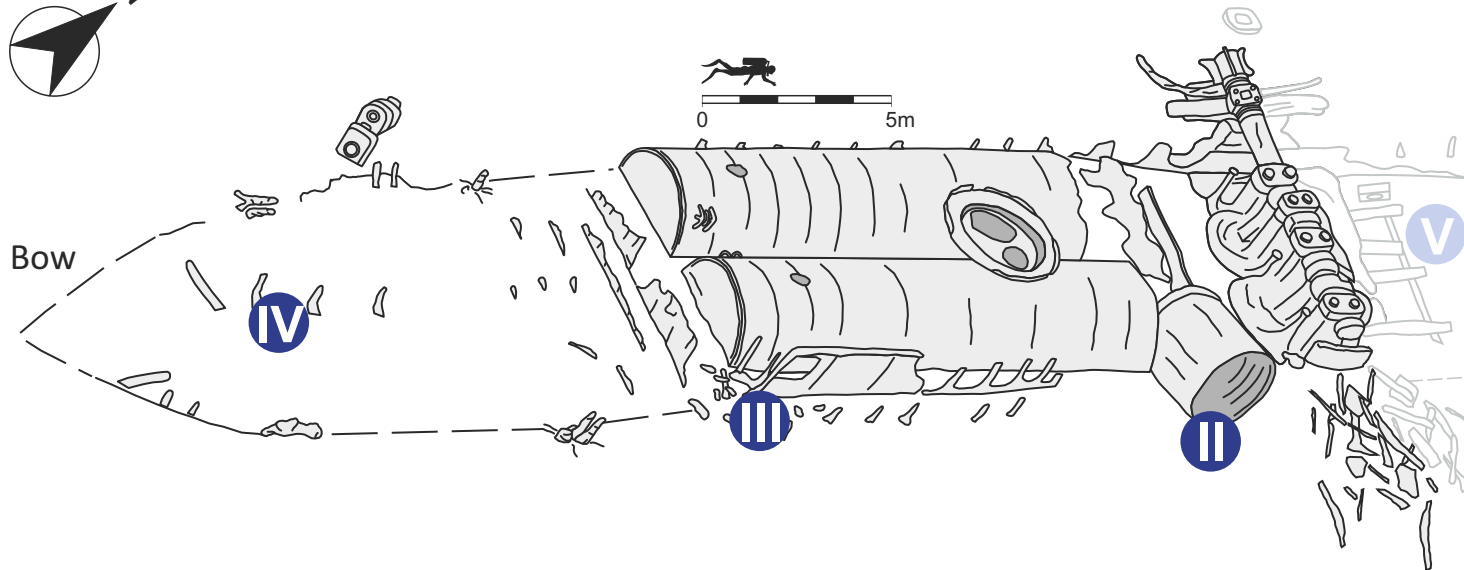


IONA II DIVE TRAIL

Marine Life Guide



ENGLISH HERITAGE

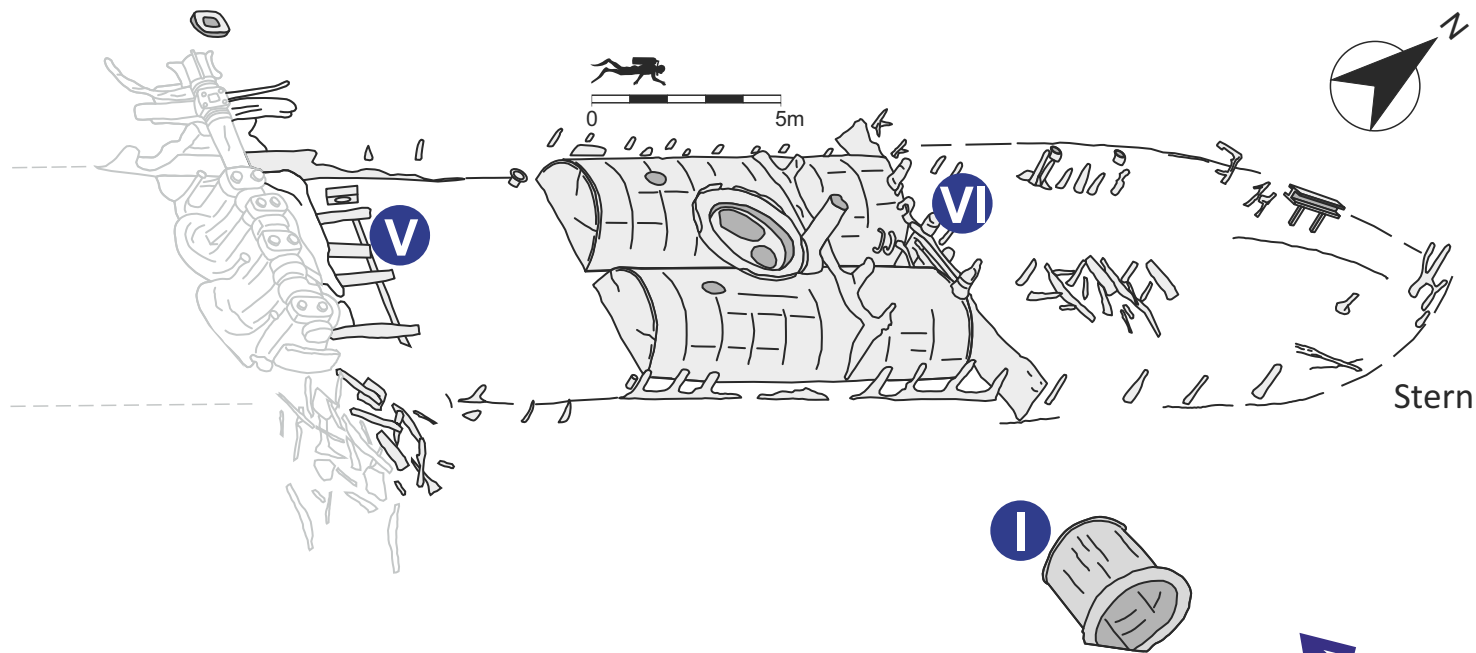


The wreck is located within the UK's first Marine Nature Reserve. Many of the local species use the wreck as an artificial reef. More information is in the **Marine Life Booklet** and Dive Trail website.

Slack: ± 2 h LW
Depth: 22–28m
Visibility: 1–15m
Wreck length: 75m

IONA II DIVE TRAIL

Marine Life Guide

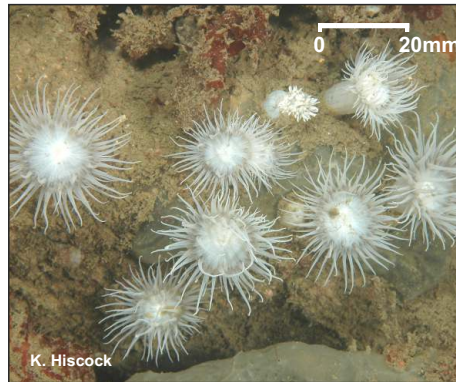


You can use the bars as a photoscale:
One bar unit = 1cm

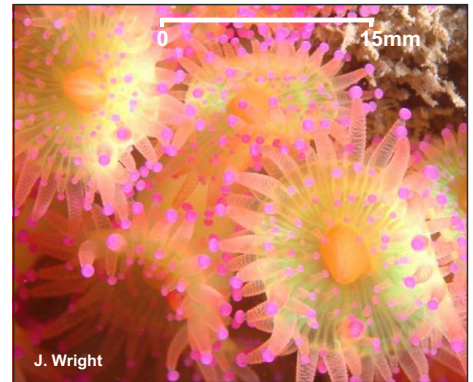
Head 245 degrees or WSW from
the *Robert's* rudder and swim 35m to *Iona II*



IV Plumose anemones



III Sandalled anemones



II Jewel anemones

Other species also found on the wreck



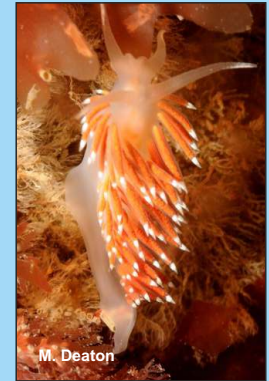
Spiny spider crab



Oaten pipe hydroids



Spiny starfish



Nudibranch



V Pink sea fan



VI Devonshire cup coral

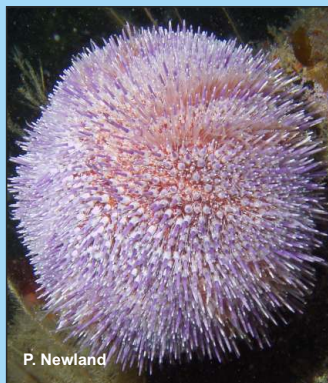


I Marine turf

Other species also found on the wreck



Southern cup coral



Edible urchin



Goldsinny wrasse



Common lobster



Conger eel



Bib